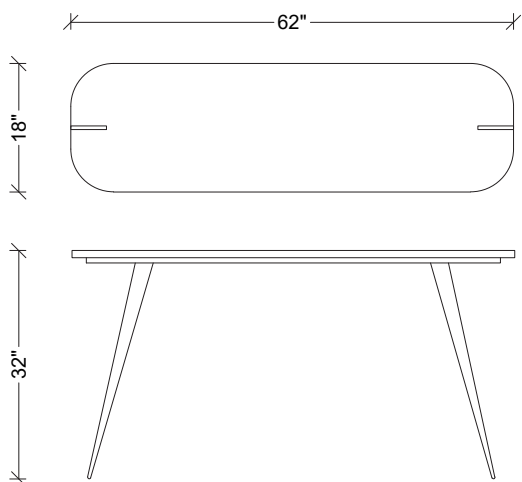


# ANTONIA COLLECTION



**LUCIEN LIGHT  
CONSOLE**



**AS SHOWN:**

Light parchment top, Bronze leaf legs and details

**DIMENSIONS:**

L: 62 in.

D: 18 in.

H: 32 in.

\*\*Bespoke sizes and finishes available



**JIMECO**

[www.antoniacollection.com](http://www.antoniacollection.com)